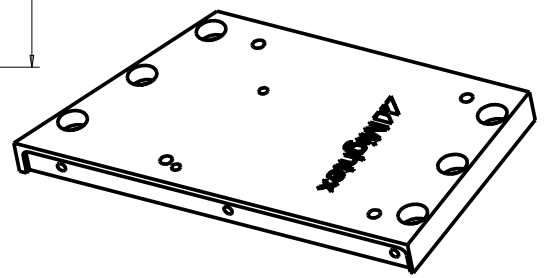
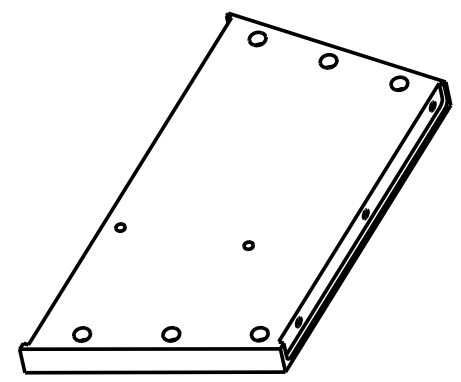
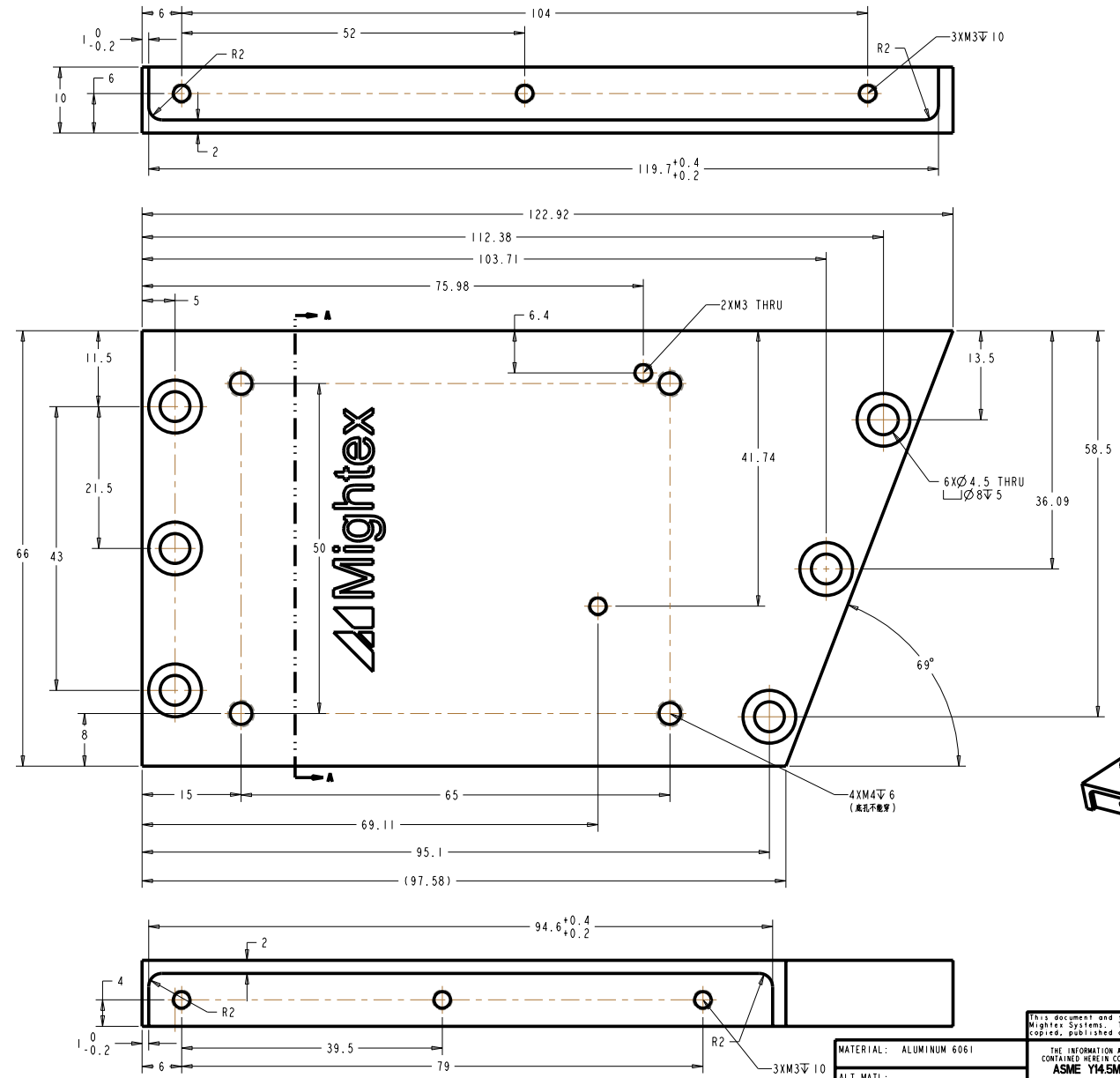


M L K J H G F E D C B A

LTR	CO	DATE	CHK



- 技术要求:
1. 去尖角毛刺
 2. 阳极氧化黑处理

MATERIAL: ALUMINUM 6061	THE INFORMATION AND DATA CONTAINED HEREIN CONFORMS TO ASME Y14.5M-1994	DRAWN: [] DATE: 05-Nov-10	Mightex Systems
ALT MATL:	ALL UNTOLERANCED DIMENSIONS ARE BASIC	EDGE/COR BREAK:	
CASE DEPTH:	UNLESS OTHERWISE SPECIFIED, ALL DIMENSIONS ARE IN MM	RADII INSIDE:	SIZE NO. 401001
HARDNESS:		RADII OUTSIDE:	REL NO. SHEET 1 OF 1
SURFACE TREATMENT: BLACK ANODIZE		UNLESS OTHERWISE SPECIFIED, SURFACE FINISH: 6.3	
		THIRD ANGLE PROJ	
		PRO/ENGINEER*	

M L K J H G F E D C B A