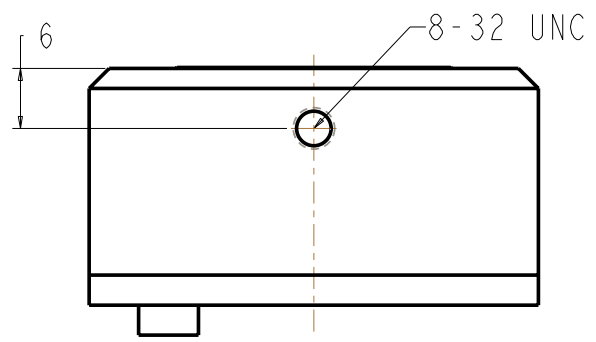
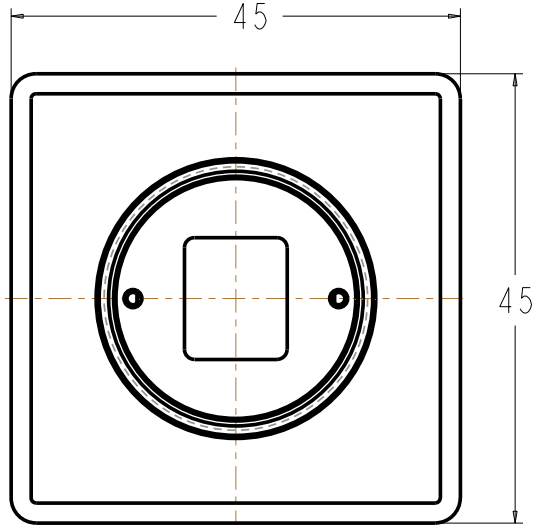
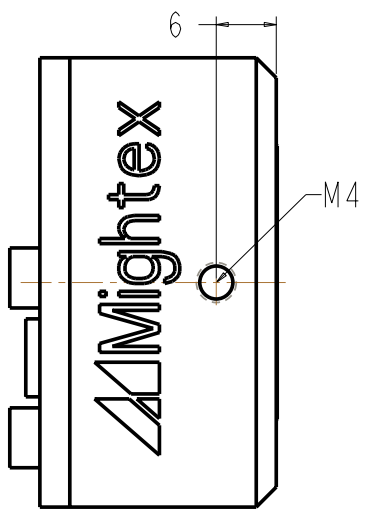
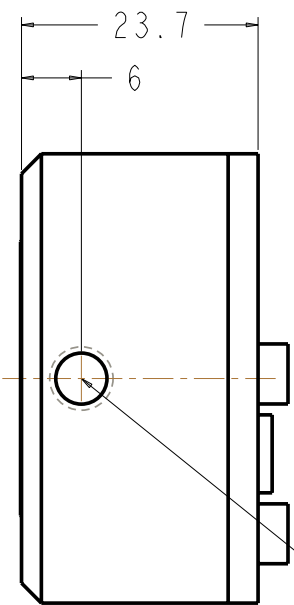
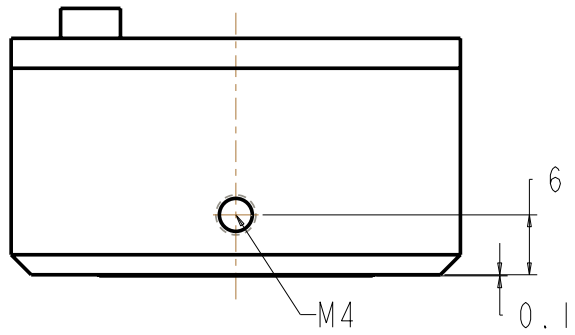
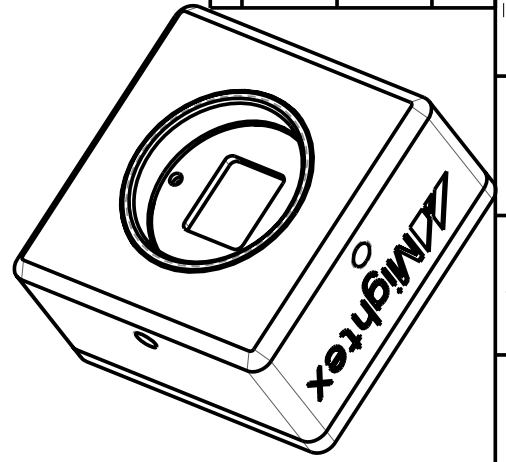


M L K J H G F E D C B A

| | | | |
|-----|----|------|-----|
| LTR | CO | DATE | CHK |
|-----|----|------|-----|



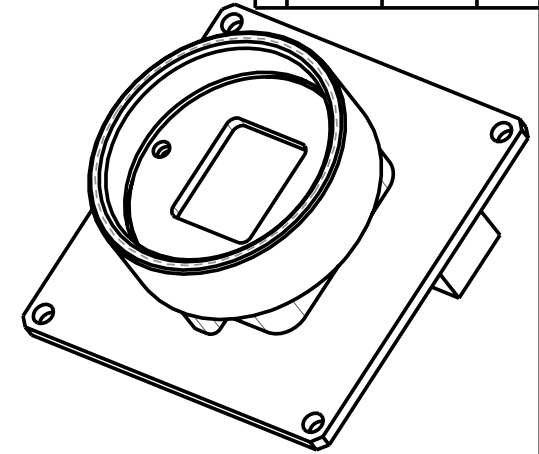
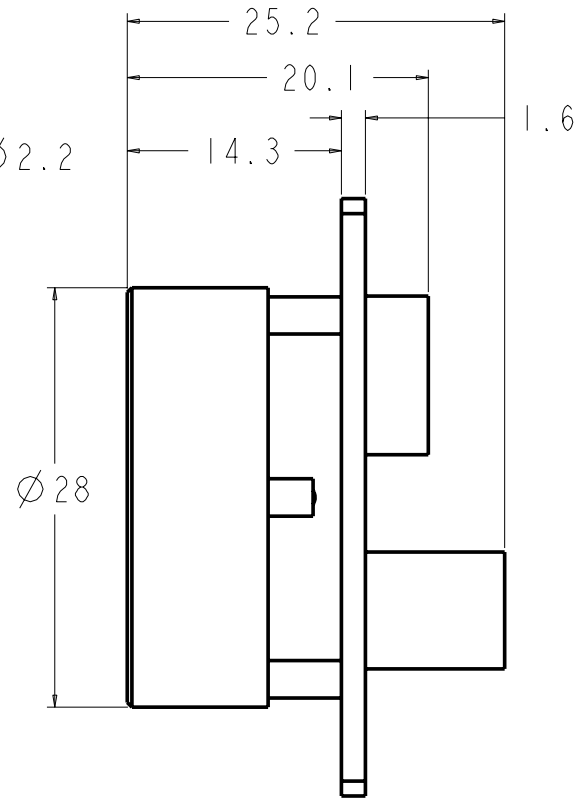
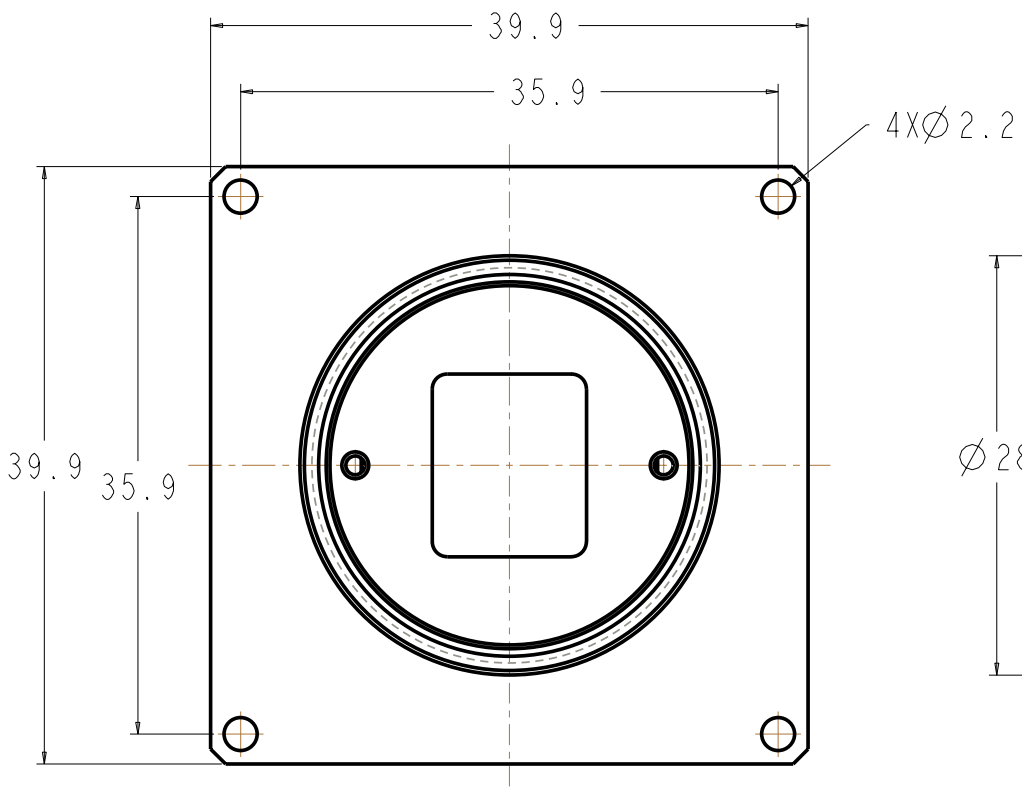
This document and the information and data contained herein are proprietary to and the exclusive property of Mightex Systems. This document and the information and data contained herein may not be used, copied, published or disclosed without the express prior written consent of Mightex Systems.

| | | | | |
|--------------------|---|--|------------------|----------------------|
| MATERIAL: | THE INFORMATION AND DATA CONTAINED HEREIN CONFORMS TO ASME Y14.5M-1994 | DRAWN: | DATE: 12-Feb-09 | Mightex Systems |
| ALT MATL: | ALL UNTOLERANCED DIMENSIONS ARE BASIC | EDGE/COR BREAK: | | |
| CASE DEPTH: | UNLESS OTHERWISE SPECIFIED, ALL DIMENSIONS ARE IN MM | RADII INSIDE: | | |
| HARDNESS: | | UNLESS OTHERWISE SPECIFIED: 6.3 SURFACE FINISH | THIRD ANGLE PROJ | SIZE NO. 106000 |
| SURFACE TREATMENT: | | PRO/ENGINEER* | | D |
| | | | | BEL NO. SHEET 1 OF 2 |

M L K J H G F E D C B A

M L K J H G F E D C B A

| | | | |
|-----|----|------|-----|
| LTR | CO | DATE | CHK |
| | | | |



This document and the information and data contained herein are proprietary to and the exclusive property of Mightex Systems. This document and the information and data contained herein may not be copied, published or disclosed without the express prior written consent of Mightex Systems.

| | | | | |
|--------------------|--|--|------------------|----------------------|
| MATERIAL: | THE INFORMATION AND DATA CONTAINED HEREIN CONFORMS TO ASME Y14.5M-1994 | DRAWN: | DATE: 19-JUN-09 | Mightex Systems |
| ALT MATL: | ALL UNTOLERANCED DIMENSIONS ARE BASIC | EDGE/COR BREAK: | | |
| CASE DEPTH: | UNLESS OTHERWISE SPECIFIED, ALL DIMENSIONS ARE IN MM | RADII INSIDE: | | |
| HARDNESS: | | UNLESS OTHERWISE SPECIFIED: 6.3 SURFACE FINISH | THIRD ANGLE PROJ | SIZE NO. 106000 |
| SURFACE TREATMENT: | | PRO/ENGINEER* | | D |
| | | | | BEL NO. SHEET 2 OF 2 |

M L K J H G F E D C B A