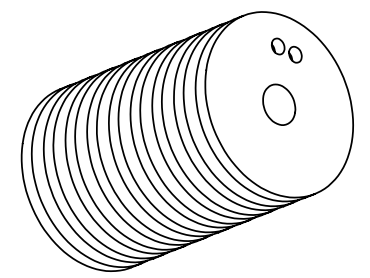
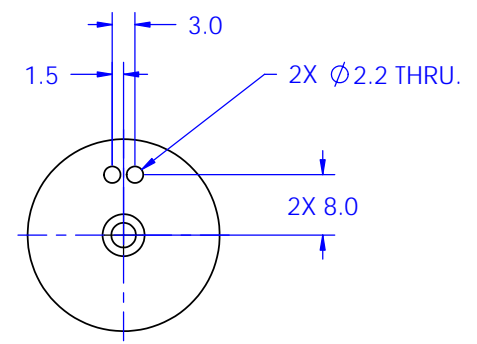
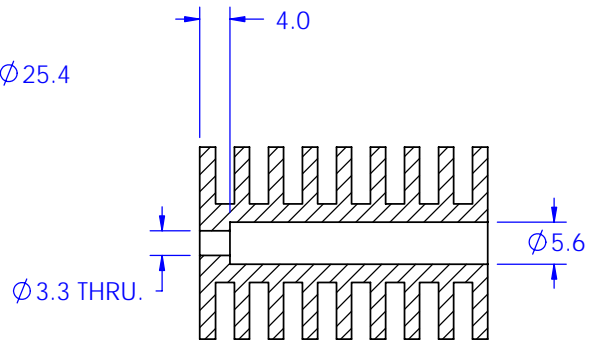
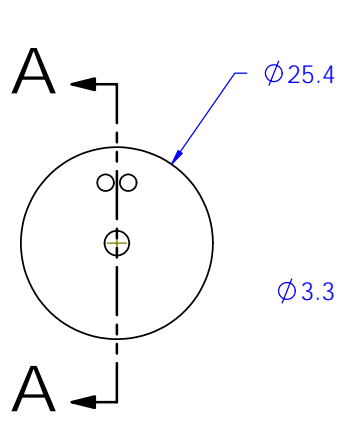
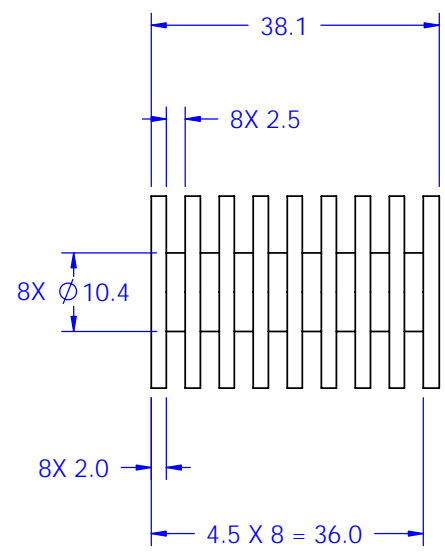


REV	DESCRIPTION	DATE	BY
01	INITIAL ISSUE	08/15/06	WG



UNLESS OTHERWISE SPECIFIED:

1. DEBURR AND BREAK SHARP EDGES TO MAX 0.2MM CHAMFER OR FILLET.
2. MACHINED SURFACES: 32 AA OR BETTER.

UNLESS OTHERWISE SPECIFIED:	NAME	DATE
DIMENSIONS ARE IN MM	DRAWN	W. GUAN 08/15/06
TOLERANCES:	CHECKED	
FRACTIONAL ±	ENG APPR.	
ANGULAR: MACH ± 1 BEND ±	MFG APPR.	
TWO PLACE DECIMAL ±0.2	Q.A.	
THREE PLACE DECIMAL ±0.1		
INTERPRET GEOMETRIC TOLERANCING PER:	PROPRIETARY AND CONFIDENTIAL	
MATERIAL AL 6061	THE INFORMATION CONTAINED IN THIS DRAWING IS THE SOLE PROPERTY OF MIGHTEX. ANY REPRODUCTION IN PART OR AS A WHOLE WITHOUT THE WRITTEN PERMISSION OF MIGHTEX IS PROHIBITED.	
FINISH SEE NOTE 2		
DO NOT SCALE DRAWING		

MIGHTEX

TITLE:
HEATSINK LED SOURCE

SIZE DWG. NO. REV
A Heatsink_LED-Source_M01 **01**

SCALE: 1:1 WEIGHT: SHEET 1 OF 1