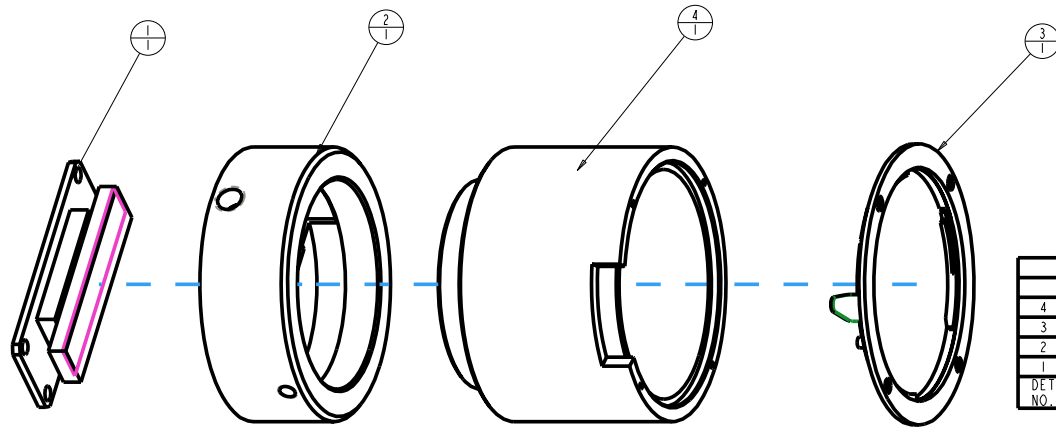
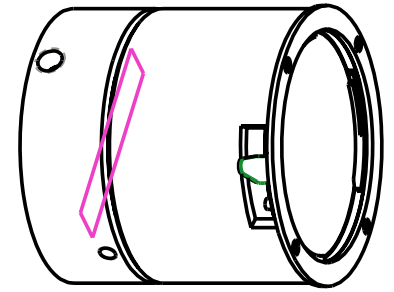
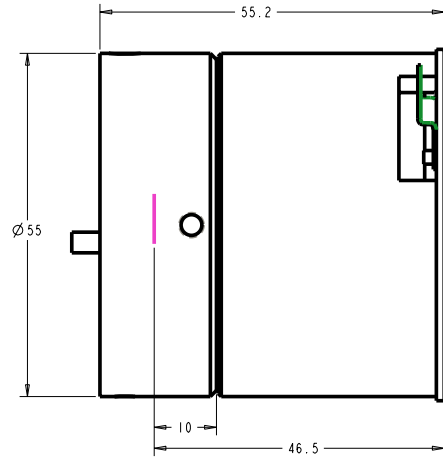


M L K J H G F E D C B A

LTR	CO	DATE	CHK



USED BUT NOT SHOWN ITEMS						
DET NO.	ITEM NO.	DESCRIPTION	QTY	U/M	SP	MISCELLANEOUS
4	100022	F MOUNT EXTENSION TUBE	1	EA		
3	100021	F MOUNT RING	1	EA		
2	100020	T THREAD BASE	1	EA		
1	100011	CCD LINE CAMERA	1	EA		

THE INFORMATION AND DATA CONTAINED HEREIN CONFORMS TO **ASME Y14.5M-1994**

DATE: 09-Aug-07

PHOTONEDGE

SIZE NO. **D** T\_THREAD\_AND\_F\_MOUNT

SHEET 1 OF 1

MATERIAL: \_\_\_\_\_  
 ALT MATL: \_\_\_\_\_  
 CASE DEPTH: \_\_\_\_\_  
 HARDNESS: \_\_\_\_\_  
 SURFACE TREATMENT: \_\_\_\_\_

THE INFORMATION AND DATA CONTAINED HEREIN ARE THE PROPERTY OF PHOTONEDGE, INC. THIS DOCUMENT AND THE INFORMATION AND DATA CONTAINED HEREIN MAY NOT BE COPIED, PUBLISHED OR DISCLOSED WITHOUT THE EXPRESS PRIOR WRITTEN CONSENT OF PHOTONEDGE, INC.

DRAWN: \_\_\_\_\_ DATE: 09-Aug-07  
 EDGE/COR BREAK: \_\_\_\_\_  
 RADII INSIDE: \_\_\_\_\_  
 RADII OUTSIDE: \_\_\_\_\_  
 UNLESS OTHERWISE SPECIFIED:  
 63 SURFACE FINISH  
 PRO/ENGINEER\*

THIRD ANGLE PROJ