

Buffered USB2.0 Color 1.3MP CCD Cameras

(Part Numbers: CGN-C013-U, CGE-C013-U)

FEATURES

- Built-in frame buffer (24 frames at full resolution)
- Support simultaneous image capturing from multiple cameras
- 4-pin GPIOs
- Higher sensitivity than CMOS cameras
- 1,280 x 960 active pixels
- Ultra compact
- High-speed USB2.0 (480Mb/s)
- Digital output, no need for frame grabber
- Full-featured SDK
- DirectShow and TWAIN driver
- USB command set for non-Windows based applications
- Linux driver available
- External and Software trigger
- Strobe output for external flash
- ROI & pixel skipping/binning
- No need for external power supply
- OEM versions available

APPLICATIONS

- Digital microscopy
- Machine vision
- Medical imaging
- Semiconductor equipment
- Test instruments
- Document scanners
- 2D barcode readers
- Web camera and security video
- High-quality ID photos



PRODUCT DESCRIPTION

Mightex USB2.0 CCD cameras with frame buffers are optimized for machine-vision applications, and they can be also used for a wide variety of applications (such as industrial inspections, digital microscopy and medical imaging) which require good quality cameras that are easy to use and cost-effective. These cameras have built-in frame buffers, external trigger-in, strobe-out, and a powerful camera engine that supports multiple cameras. Frame rate can be as high as 20 fps in full resolution and up to 84 fps using ROI mode. A user-friendly GUI based application software and an SDK are provided for custom software development. In addition, a DirectShow driver and a TWAIN driver are available to easily link the cameras with users' applications. A USB command set protocol and a Linux driver are also provided for non-Windows based applications.

PERFORMANCE SPECIFICATIONS

Parameters	CGN-C013-U	CGE-C013-U	Unit
Board-level / enclosed	Board-level	Enclosed	
Number of GPIOs	4	4	
Resolution	1,280 x 960 Color (RGB Bayer Filter)		
Bit	8/12		bits
CCD Chip	1/3" Sony ICX445AK, Global shutter		
Pixel Size	3.75 x 3.75		µm
Active Imager Size	6.26 x 5.01		mm
Scanning System	Progressive		
Frame Rates* (@32MHz Clock)	20 @1,280 x 960 38 @640 x 480 (2 x 2 Bin) 53 @424 x 320 (3 x 3 Bin) 66 @320 x 240 (4 x 4 Bin) 66 @320 x 240 (4 x 4 Bin2)		fps
Sub Resolutions	640 x 480 (2 x 2 Bin), 424 x 320 (3 x 3 Bin), 320 x 240 (4 x 4 Bin), 320 x 240 (1:4 Bin2)**		
Shutter Speed (Exposure time)	0.05 ~ 200,000		ms
Hardware Gains	6 ~ 41		dB
Trigger Mode	With external trigger ***		
Trigger Delay	<25		µs
Strobe Out	Yes		
Lens Mount	C- mount or CS-mount		
Built-in Filters	IR-cut (factory standard), no filter, or IR-pass		
Power Consumption	< 1.8		W
Dimension	40 x 40 x 31 (CS-mount) 40 x 40 x 36 (C-mount)	45 x 45 x 30.5 (CS-mount) 45 x 45 x 35.5 (C-mount)	mm
Weight (excluding lens)	29	115	g

* The actual achievable frame rate depends on exposure time, as well as available resources of PC system.
 ** In sub resolution mode, the color information is ignored, and hence the images become monochromatic. For the definition of Bin and Bin2 please refer to camera's SDK guide.
 *** Part number of the trigger cable for external trigger : ACC-CAM-CON8

Buffered USB2.0 Color 1.3MP CCD Cameras

(Part Numbers: CGN-C013-U, CGE-C013-U)

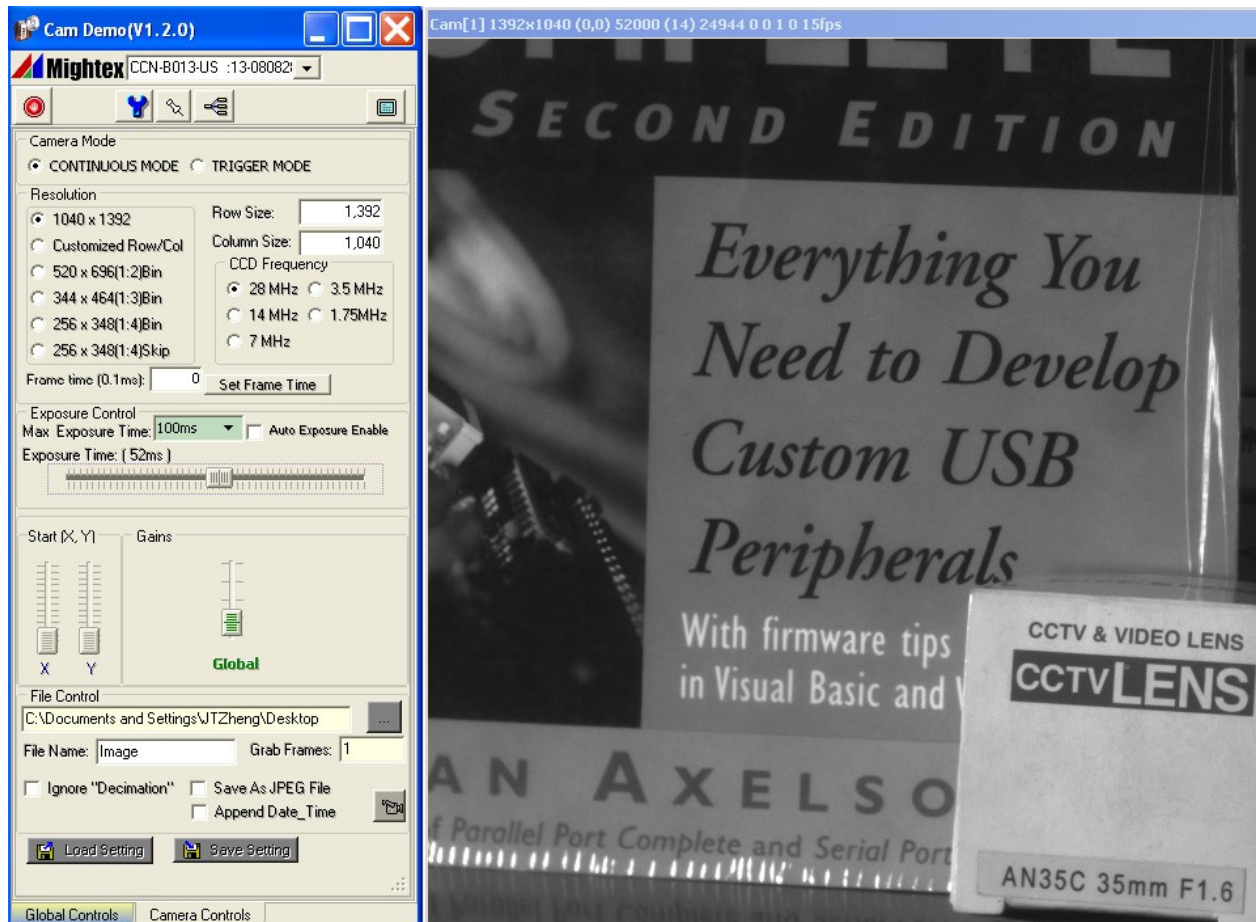
OPERATION CONDITION

Operating Temperature Range: 0°C ~ 45°C
Storage Temperature Range: -25°C ~ 85°C
Relative Humidity, Non-condensing: 5% ~ 95%

RECOMMENDED SYSTEM CONFIGURATION

Processor: Pentium III 900 MHz or better, or a compatible processor
Operating System: Windows 2000, XP, Vista, Windows 7 and 8
RAM: 256MB or greater
Hard Disk Space: 30MB for software installation, plus additional space for storing captured images
USB2.0 Host Controller: Intel integrated host controller (recommended)

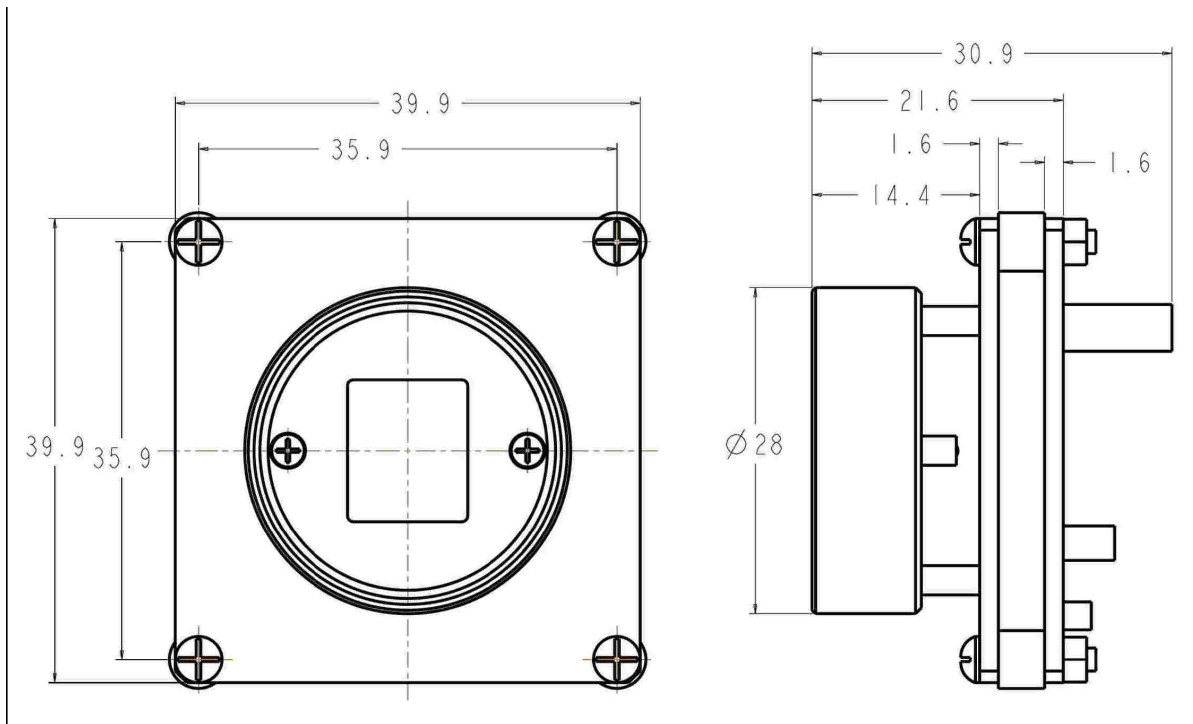
EXAMPLE OF GRAPHICAL USER INTERFACE



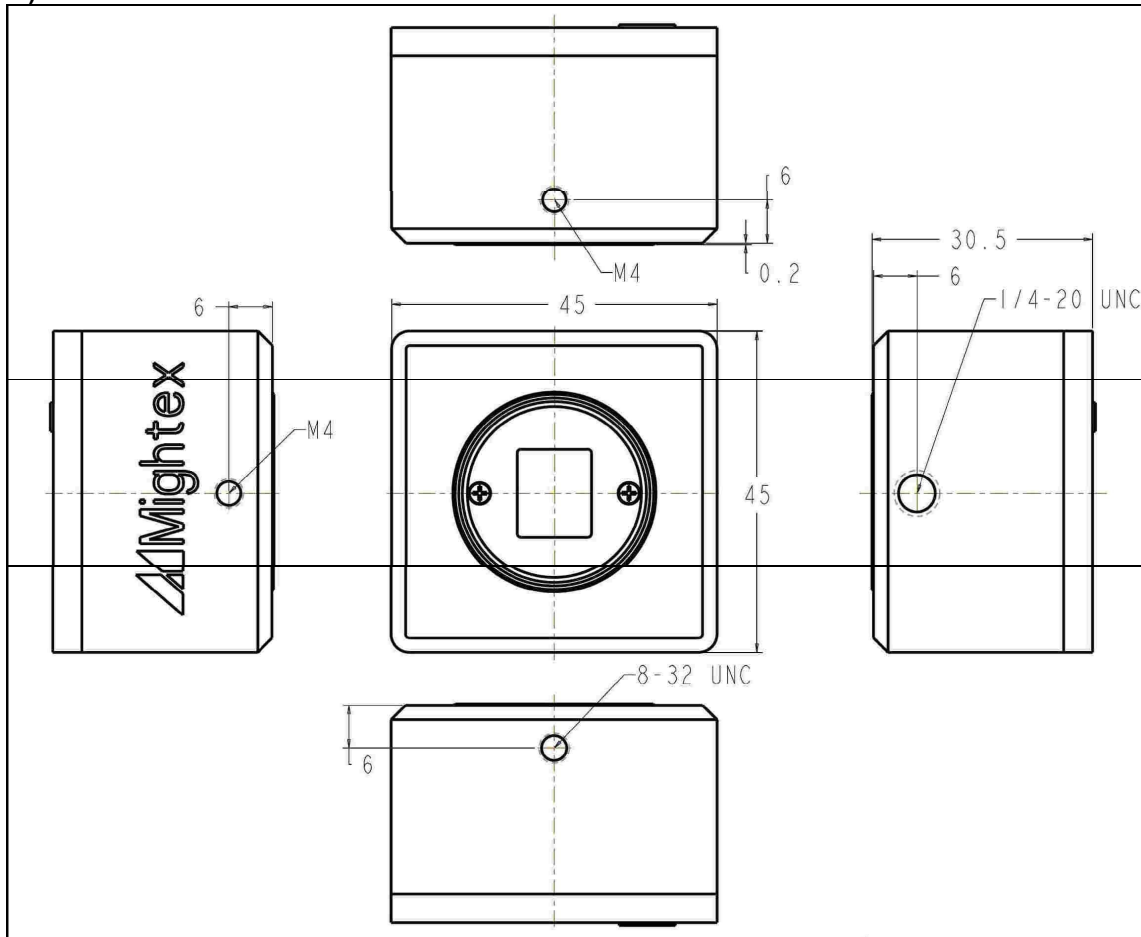
Buffered USB2.0 Color 1.3MP CCD Cameras

(Part Numbers: CGN-C013-U, CGE-C013-U)

INSTALLATION DRAWINGS



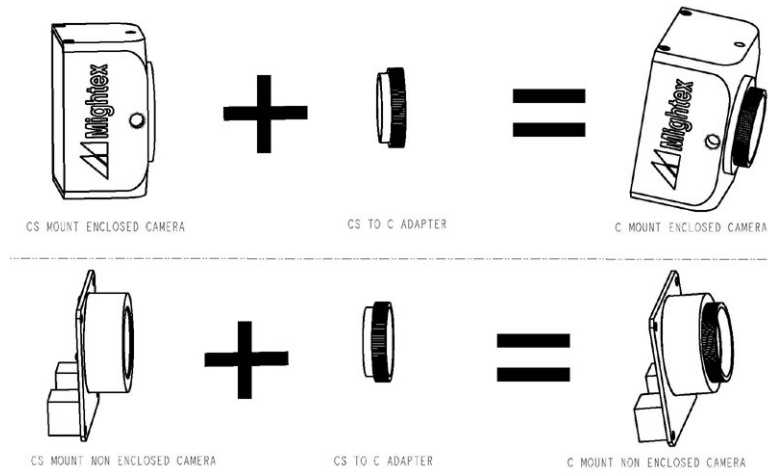
2) Enclosed camera with CS-mount



Buffered USB2.0 Color 1.3MP CCD Cameras

(Part Numbers: CGN-C013-U, CGE-C013-U)

WHAT'S IN A C-MOUNT CAMERA?



A C-mount camera is composed of a CS-mount camera and a CS-to-C-mount adapter. The latter is essentially a 5mm thick threaded ring.

With a world-class OEM design team, Mightex offers a broad range of customized solutions in order to meet individual customer's unique requirements. Please call 1-416-840 4991 or email sales@mightex.com for details.