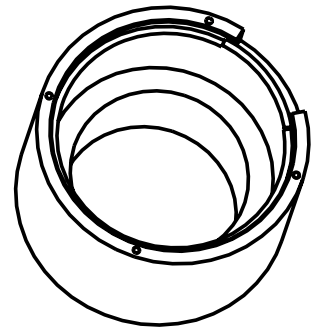
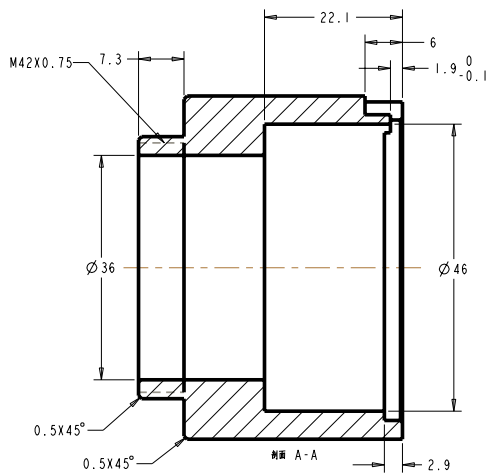
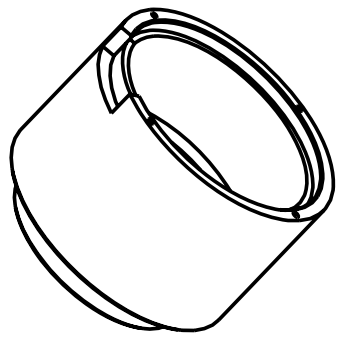
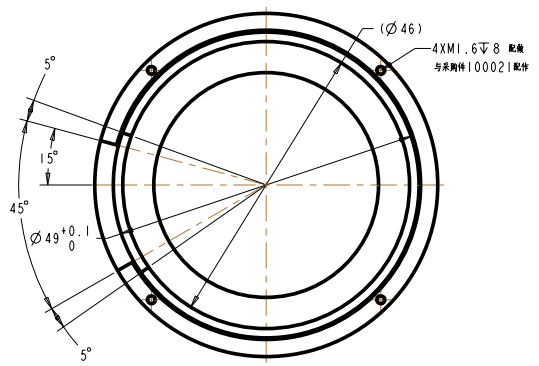
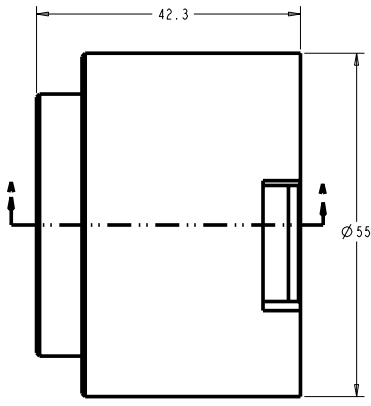


M L K J H G F E D C B A

LTR	CO	DATE	CHK



NOTE:  
 1. NO SHARP EDGES AND DIRTY ON SURFACES ARE ALLOWED.  
 2. NO OTHERWISE SPECIFIED, THE UNMARKED CHAMFERS ARE 0.2X45°

MATERIAL: ALUMINUM 6061	THE INFORMATION AND DATA CONTAINED HEREIN CONFORMS TO ASME Y14.5M-1994	DRAWN: WALT ZHANG DATE: 07-AUG-07	PHOTONEDGE
ALT MATL:	ALL UNTOLERANCED DIMENSIONS ARE BASIC	EDGE/COR BREAK:	F MOUNT EXTENSION TUBE
CASE DEPTH:	UNLESS OTHERWISE SPECIFIED, ALL DIMENSIONS ARE IN MM	RADII INSIDE:	SIZE NO. 100022
HARDNESS:		RADII OUTSIDE:	REL NO. SHEET 1 OF 1
SURFACE TREATMENT: BLACK ANODIZE		UNLESS OTHERWISE SPECIFIED: 63 SURFACE FINISH	
		THIRD ANGLE PROJ	
		PRO/ENGINEER*	

M L K J H G F E D C B A