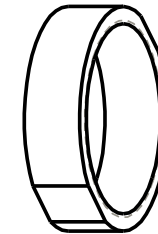
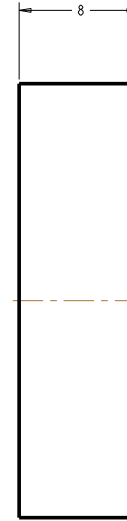
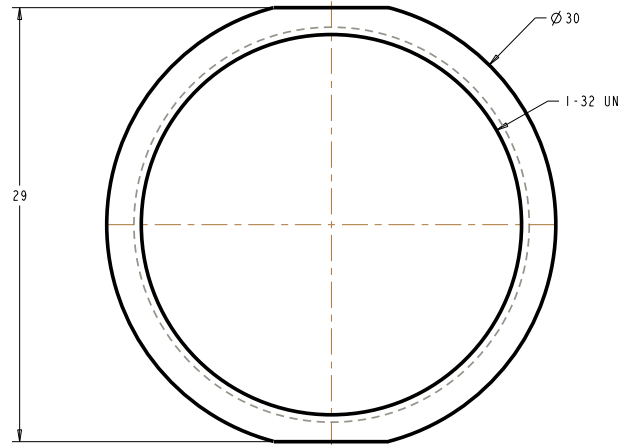


M L K J H G F E D C B A

LTR	CO	DATE	CHK



This document and the information and data contained herein are proprietary to and the exclusive property of Mightex Systems. This document and the information and data contained herein may not be used, copied, published or disclosed without the express prior written consent of Mightex Systems.

MATERIAL: ALUMINUM 6061	THE INFORMATION AND DATA CONTAINED HEREIN CONFORMS TO ASME Y14.5M-1994	DRAWN: _____ DATE: 29-Feb-12	Mightex Systems
ALT MATL:	ALL UNTOLERANCED DIMENSIONS ARE BASIC	EDGE/COR BREAK: _____	
CASE DEPTH:	UNLESS OTHERWISE SPECIFIED, ALL DIMENSIONS ARE IN MM	RADII INSIDE: _____	SIZE NO. 402014
HARDNESS:		RADII OUTSIDE: _____	REL NO. _____
SURFACE TREATMENT: ALUMINUM 6061		UNLESS OTHERWISE SPECIFIED, SURFACE FINISH: 6.3	SHEET 1 OF 1
		THIRD ANGLE PROJ.	
		PROF/ENGINEER*	

M L K J H G F E D C B A