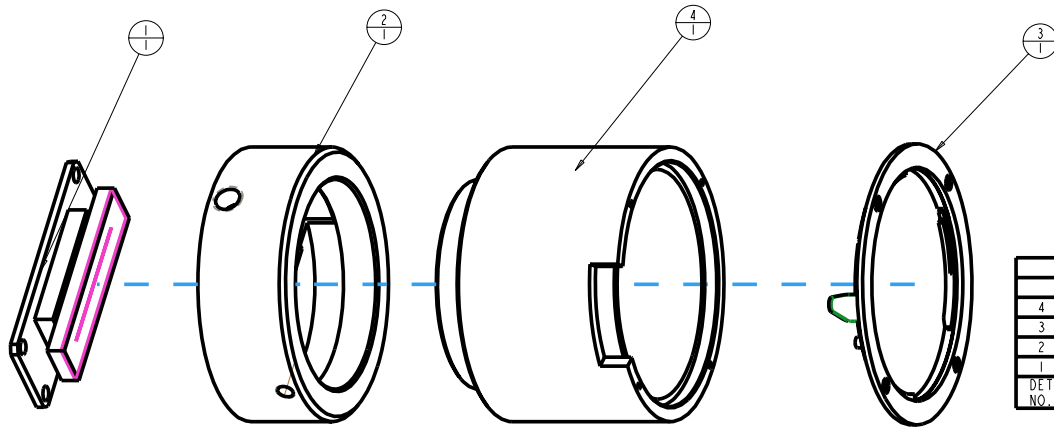
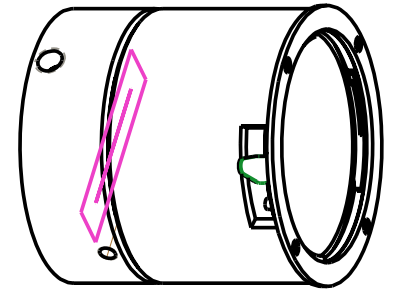
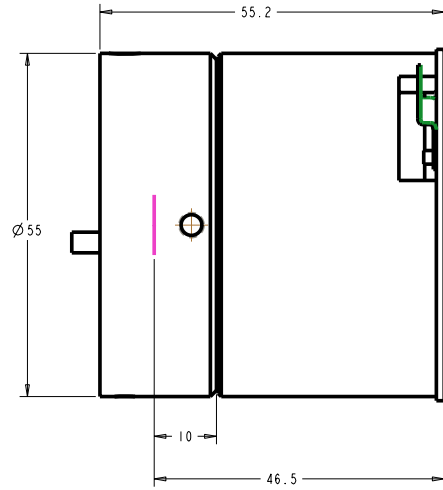


M L K J H G F E D C B A

LTR	CO	DATE	CHK



USED BUT NOT SHOWN ITEMS						
DET NO.	ITEM NO.	DESCRIPTION	QTY	U/M	SP	MISCELLANEOUS
4	100022	F MOUNT EXTENSION TUBE	1	EA		
3	100021	F MOUNT RING	1	EA		
2	100020	T THREAD BASE	1	EA		
1	100011	CCD LINE CAMERA	1	EA		

THE INFORMATION AND DATA CONTAINED HEREIN CONFORMS TO **ASME Y14.5M-1994**

UNLESS OTHERWISE SPECIFIED, ALL DIMENSIONS ARE IN **MM**

UNLESS OTHERWISE SPECIFIED, ALL DIMENSIONS ARE IN **MM**

UNLESS OTHERWISE SPECIFIED, SURFACE FINISH IS **6.3**

UNLESS OTHERWISE SPECIFIED, THIRD ANGLE PROJ

UNLESS OTHERWISE SPECIFIED, RADII INSIDE

UNLESS OTHERWISE SPECIFIED, EDGE/COR BREAK

UNLESS OTHERWISE SPECIFIED, DRAWN: WALT DATE: 03-Apr-08

Mightex Systems

SIZE NO. **D** T_THREAD_AND_F_MOUNT

REL NO. SHEET 1 OF 1

M L K J H G F E D C B A