

M1614-MP

16mm F1.4

for 2/3" format cameras

C-Mount

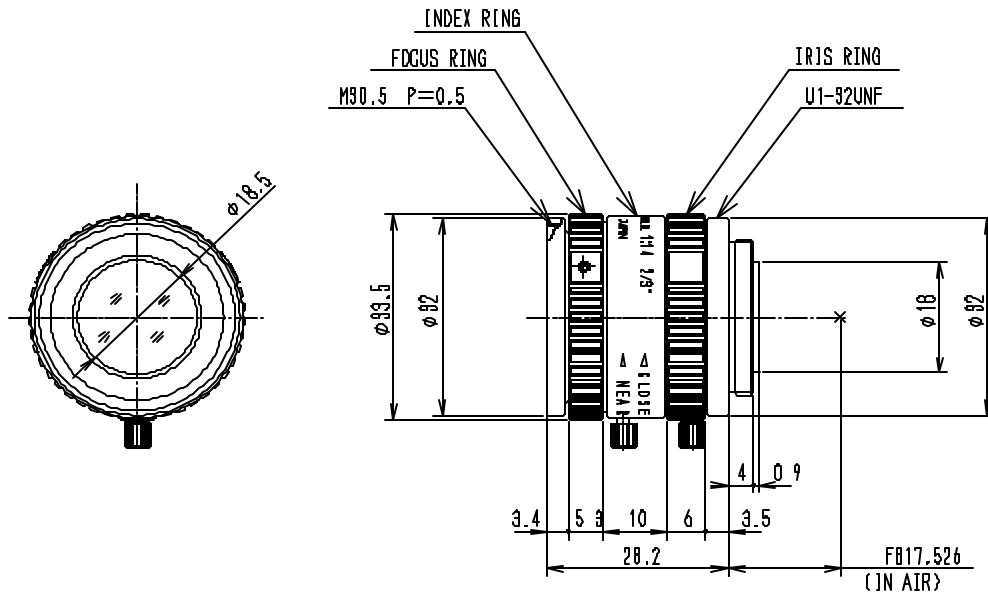
Model No.	M1614-MP	Effective	Front	f 18.5mm
Focal Length	16mm	Lens Aperture	Rear	f 13.2mm
Max. Aperture Ratio	1 : 1.4	Distortion	-0.3%(y=4.0)	
Max. Image Format	8.8 x 6.6mm (f11mm)	Back Focal Length	13.1mm	
Operation Range	Iris	F1.4 - 16C	Flange Back Length	17.526mm
	Focus	0.3m - Inf.	Mount	C-Mount
Control	Iris	Manual	Filter Size	M30.5 P=0.5mm
	Focus	Manual	Dimensions	f33.5 x 28.2mm
Object Dimension at M.O.D.	16.5 x 12.4cm	Weight	65g	
Angle of View	D	38.0°	28.2°	
	H	30.8°	22.7°	
	V	23.4°	17.1°	
Operating Temperature	-20°C ~ +50°C			

2/3

C

M.O.D. : Minimum Object Distance

Dimensions



F